



HERRALUM®

líder en herrajes para aluminio y vidrio



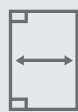
4pz

Múltiplo



130Kg

Capacidad de carga



950mm

Ancho máximo de cristal



2100mm

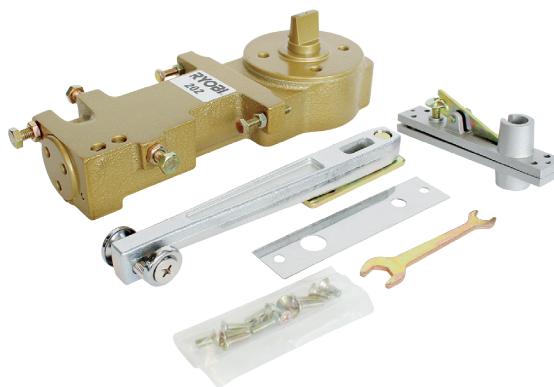
Alto máximo de cristal



Freno a 90°
Apertura a 113°

Características Especiales

CLAVE 1004 BISAGRA DE PISO RYOBI MODELO S202N



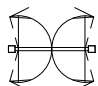
Bisagra de piso Ryobi modelo S202N, con doble válvula para regular la velocidad de cierre y presión. La bisagra japonesa más vendida en México, probada en laboratorio por más de 1'000,000 de ciclos.



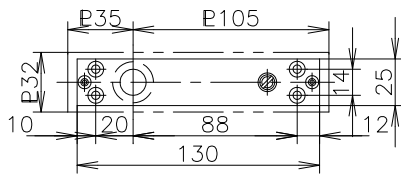
www.herralum.com

DERECHOS RESERVADOS
Herralum Industrial S.A. de C.V.
Calle 4 No.10557 Parque Industrial El Salto
C.P. 45680 El Salto, Jal.
Tel. (33) 3666 0312

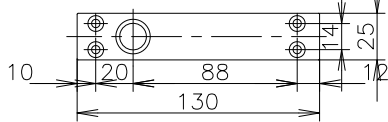


OPENING SYSTEM OF DOOR	MODEL NUMBER		FITTING SIZE AND WEIGHT	
			WIDTH X HEIGHT (mm)	DOOR WEIGHT (kg)
CENTER HUNG PAIR DOORS OPENED OF IN DOUBLE ACTION  MAXIMUM OPENING ANGLE 113° HOLD OPEN ANGLE 90°	201N	NON-HOLD	900X2100	80
	S 201N	90° HOLD		
	202N	NON-HOLD	950X2100	130
	S 202N	90° HOLD		

Top pivot (upper frame side)

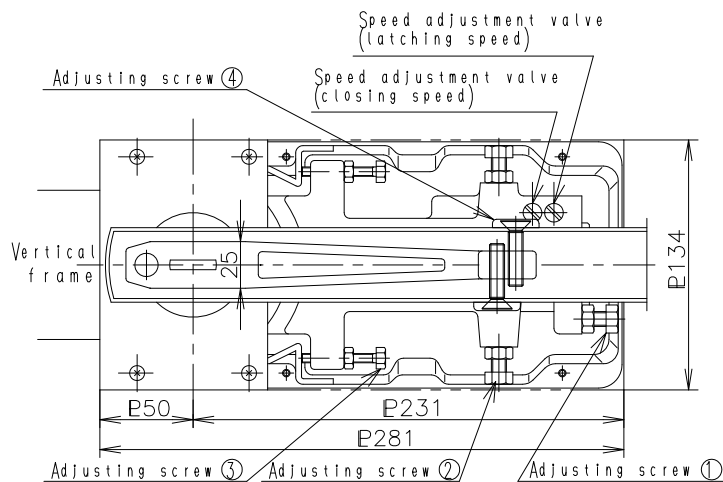
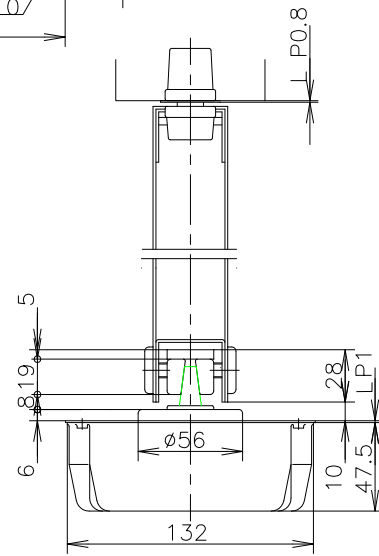
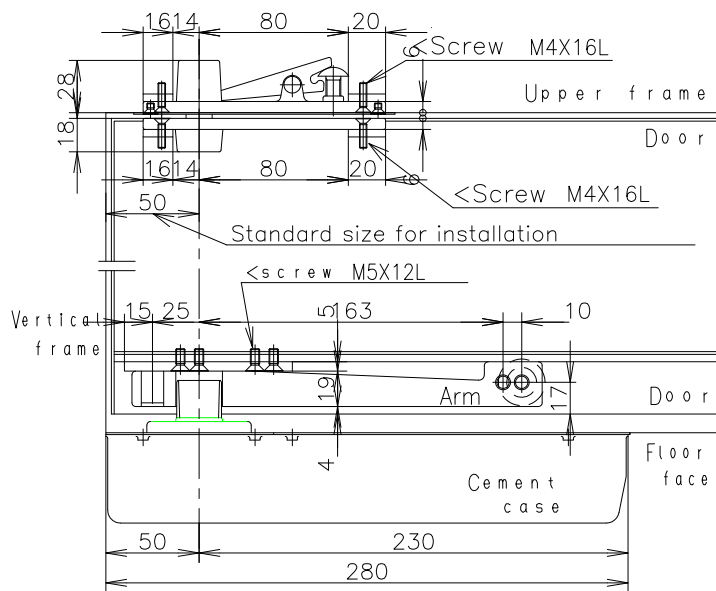
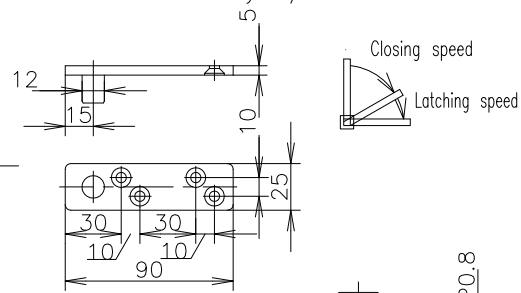


Top pivot (door side)



Notes: Dimension is indicated by m/m unit

Arm plate



ADJUSTMENT OF DOOR POSITION AND DOOR CLOSING SPEED.

Adjustment is made by taking off floor plate (backside)

1. Adjusting screws (1 2 3) are loosened.
2. Adjustment of space between door and vertical frame is made by adjusting screws (1 3) and tightening lock-nuts of adjusting screws (1 3).
3. Adjustment of closing position of door is made by adjusting screw 4
4. For further adjustment, after loosening adjusting screw 3 and its lock-nut, adjustment is made by adjusting screw 2 and tightening adjusting screw 3 and its lock-nut.
5. Adjusting screw 2 and its lock-nut are tightened.
6. Adjustment for both closing speed and latching speed is made by turning valves clockwise for slower speed and turning anticlockwise for faster speed.



www.herralum.com

DERECHOS RESERVADOS
Herralum Industrial S.A. de C.V.
Calle 4 No. 10557 Parque Industrial El Salto
C.P. 45680 El Salto, Jal.
Tel. (33) 3666 0312

