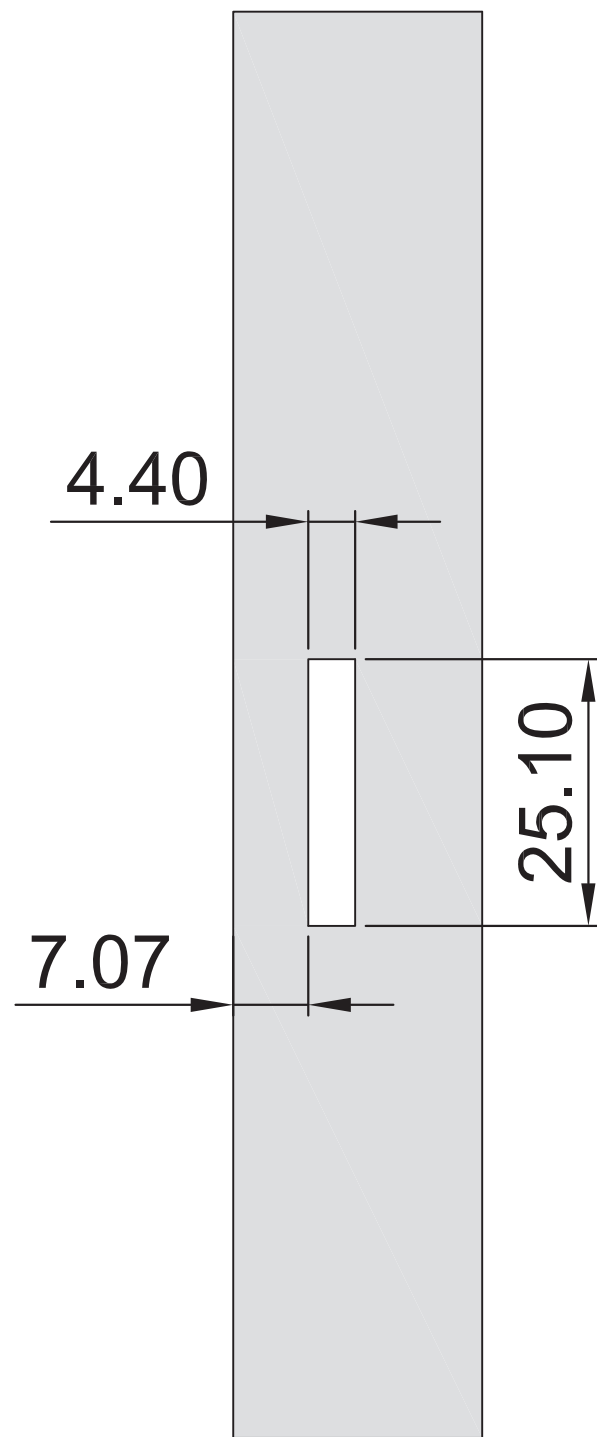


RESAQUE FRONTAL



RESAQUE LATERAL